



TECHNICAL DATA

GP16T

Back

220-240V

Compressor		
Displacement	cm <sup>3</sup>	16
Diameter	mm	31.18
Stroke	mm	21.13
Net Weight	Kg	13.1
Oil type	ISO VG 22 ESTER	
Oil charge	cm <sup>3</sup>	400

Application		
Application	High back pressur	
Refrigerant	R134a	
Evaporating	°C	-15 a 10
Expansion	Capillar/Valve	
Comp. cooling	Fan cooled	
Max. ambient temp.	°C	43

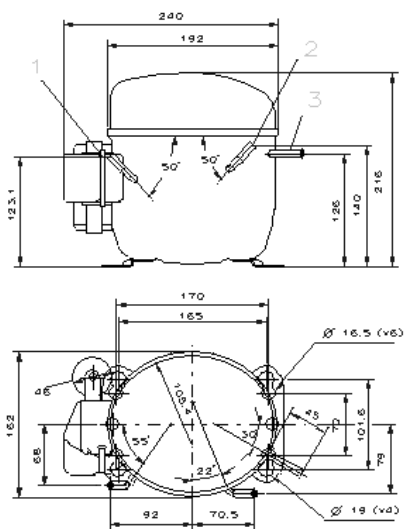
Motor		
Approximate Power	CV	3/8
Voltage/Frequency	V/Hz	220V 50Hz
Voltage range	V	187-264
Code	61,572	
Type	CSIR	
Phase number	1 PH	
Locked rotor current	A	20.0
Main W. resist. at 25°C	Ω	3.77
Start W. resist. at 25°C	Ω	20.39

Nominal Performance		CYCLE C	CY
Cooling capacity	W	1205	
Cooling capacity	kcal/h	1036	
Input power	W	666	
EER	kcal/(W. h)	1.56	
COP	W/W	1.81	
Current	A	3.91	
<b>Test conditions:</b>			
Evaporating temp.	°C	5	
Condensing temp.	°C	55	
Liq.t. entering expan.	°C	55	
Ambient t. and return	°C	32	
Tens/Freq	V/Hz	220V 50Hz	22

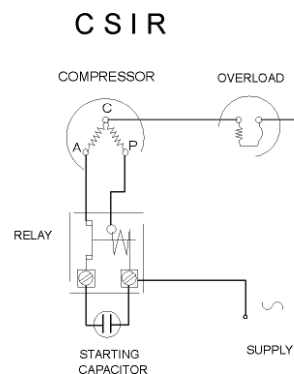
Electrical components

Relay		9660 A 158	MTRP 51
Pick-Up	A	9,15	9,05
Drop-Out	A	7,70	7,70
Protector		MRP00AMK	T0425
Current	A	11.7	11.5
Time check	seg	7.5-14	7.5-14
Disc temp. (Open/Close)	°C	105/61	105/61
Starting capacitor	μF/V	72- 88/330	

Dimensions and Electrical Diagram



Designation	Interior Diam. (mm)
1 Suction	8,1
2 Service	8.1
3 Discharge	6.5



DOC 970714

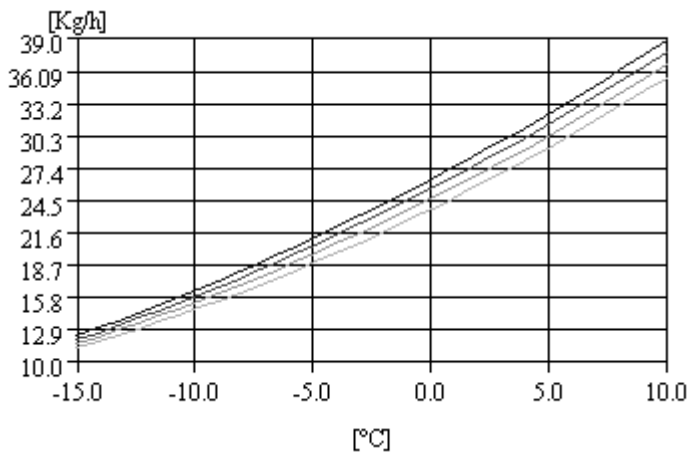


**TECHNICAL DATA**  
**GP16T**

Back

220-240V

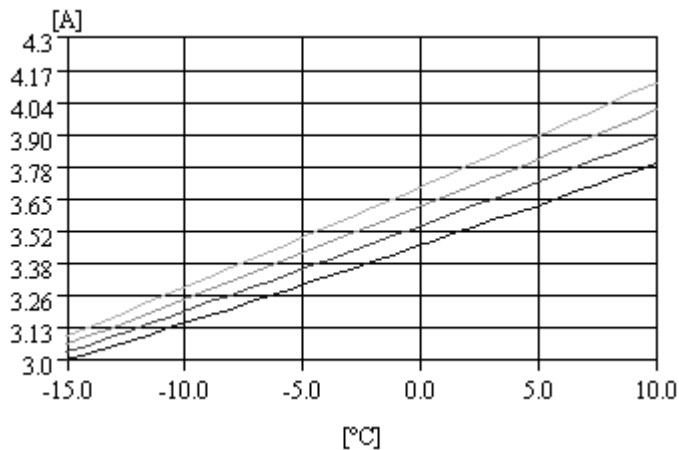
Mass flow



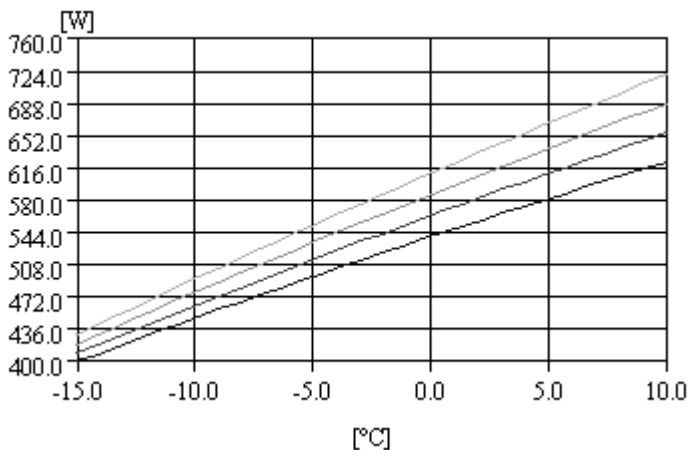
**Test conditions**

Voltage/frequency: 220V 50  
Ambient t. and return: 35 °  
Liq.t. entering expan.: Subc  
9 K

Input W

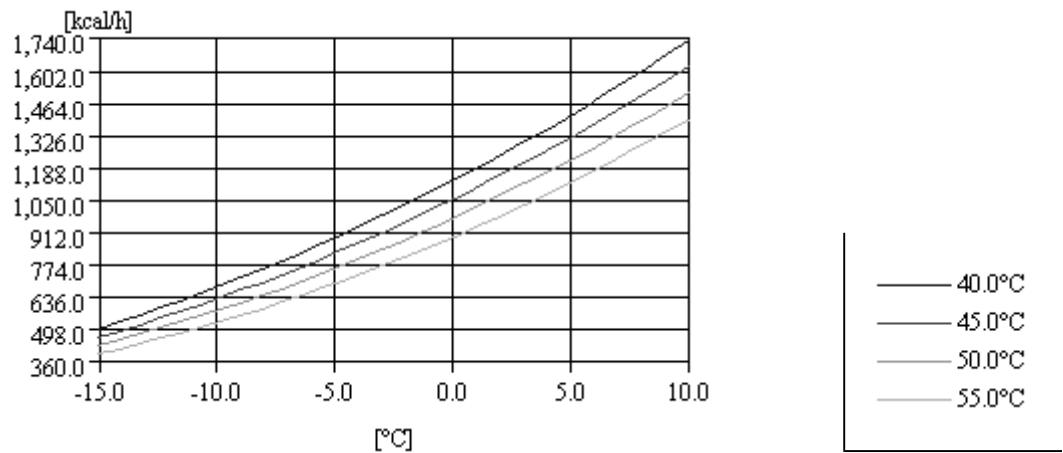


Consumption



Cooling capacity

**Condensing temp.**  
**(°C)**



DOC 970714